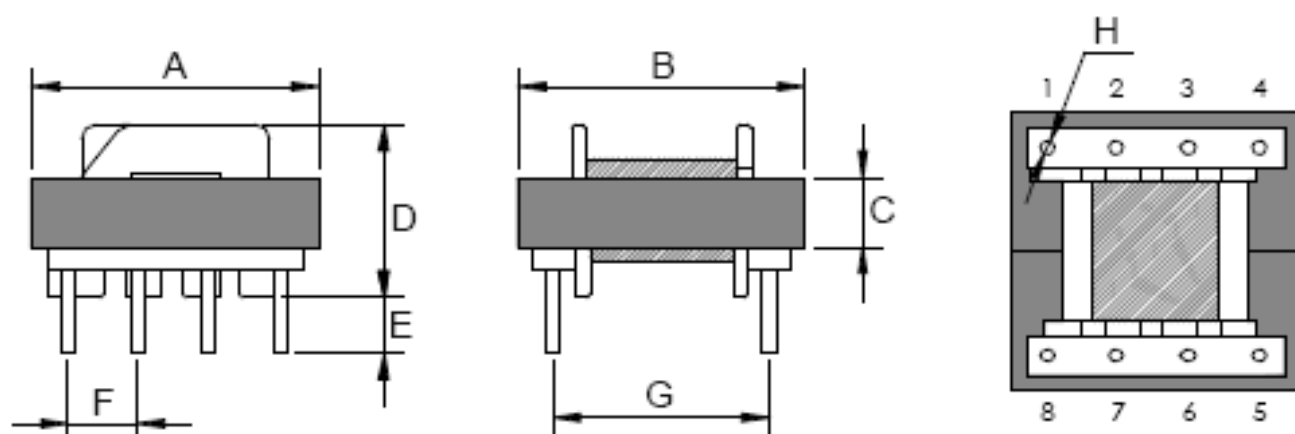


E 20 HORIZONTAL



TOLERÂNCIA:  $\pm 0,5\text{mm}$ .

AL:  $1300\text{mH} +30 / -20\%$

ÁREA ÚTIL DA JANELA:  $16,2\text{mm}^2$

CARRETEL	A	B	C	D	E	F	G	H
E 20 - 8 pinos	20,2	20,0	5,0	12,7	5,0	5,0	15,0	0,8