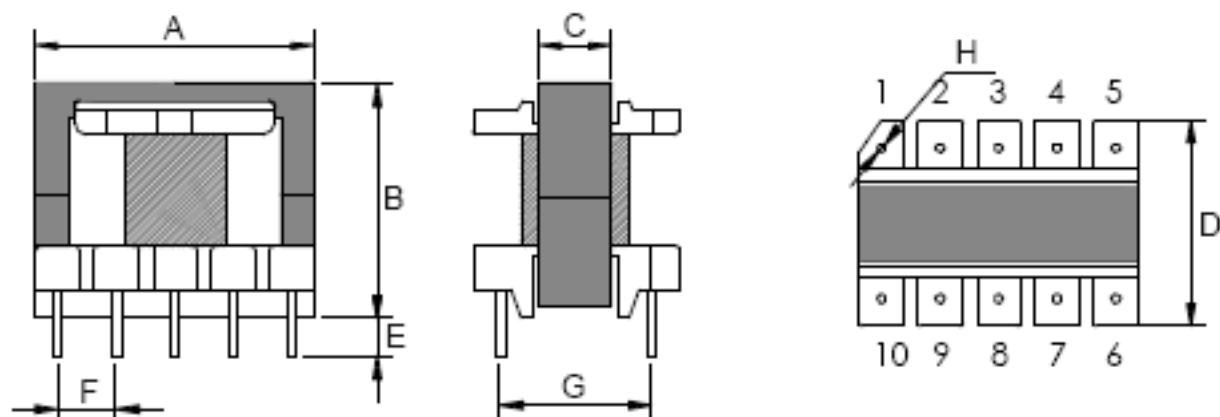


E 25B - 10 pinos



TOLERÂNCIA:  $\pm 0,5\text{mm}$ .

AL:  $2800\text{nH} +30 / -20\%$

ÁREA ÚTIL DA JANELA:  $26,7\text{mm}^2$

| CARRETEL        | A    | B    | C   | D    | E   | F   | G    | H   |
|-----------------|------|------|-----|------|-----|-----|------|-----|
| E 25 - 10 pinos | 25,2 | 21,0 | 6,0 | 18,2 | 3,5 | 5,0 | 12,5 | 0,8 |