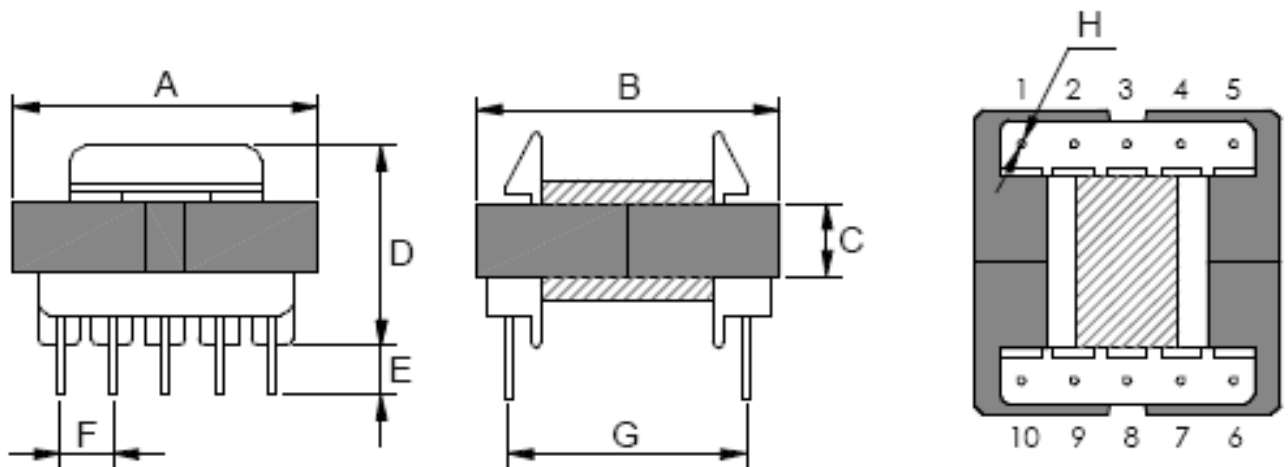


E 30/7 - 10 pinos



TOLERÂNCIA: $\pm 0,5\text{mm}$.

AL: $1800\text{nH} +30 / -20\%$

ÁREA ÚTIL DA JANELA: $45,4\text{mm}^2$

CARRETEL	A	B	C	D	E	F	G	H
E 30/7 - 10 pinos	30,4	30,0	7,0	21,0	5,0	5,0	25,0	0,8